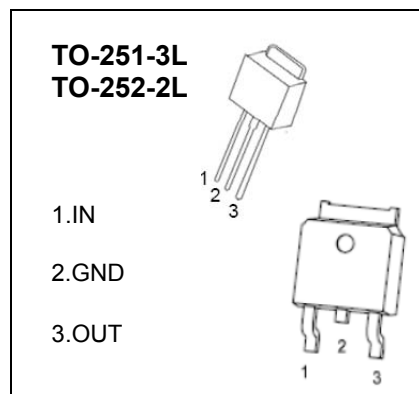


TO-251-3L/TO-252-2L Plastic-Encapsulate Voltage Regulators

CJ7806 Three-terminal positive voltage regulator

FEATURES

- Maximum Output current I_{OM} : 1.5 A
- Output voltage V_o : 6 V
- Continuous total dissipation
 P_D : 1.25 W ($T_a = 25^\circ\text{C}$)
 10W ($T_c = 25^\circ\text{C}$)



ABSOLUTE MAXIMUM RATINGS (operating temperature range applies unless otherwise specified)

Parameter	Symbol	Value	Units
Input Voltage	V_i	35	V
Thermal Resistance from Junction to Air	$R_{\theta JA}$	100	$^\circ\text{C/W}$
Thermal Resistance from Junction to Case	$R_{\theta JC}$	12.5	$^\circ\text{C/W}$
Operating Junction Temperature Range	T_{OPR}	0~+150	$^\circ\text{C}$
Storage Temperature Range	T_{STG}	-55~+150	$^\circ\text{C}$

ELECTRICAL CHARACTERISTICS AT SPECIFIED VIRTUAL JUNCTION TEMPERATURE ($V_i = 11\text{V}, I_o = 500\text{mA}, C_i = 0.33\mu\text{F}, C_o = 0.1\mu\text{F}$, unless otherwise specified)

Parameter	Symbol	Test conditions	Min	Typ	Max	Unit
Output Voltage	V_o	25°C	5.75	6	6.25	V
		$8\text{V} \leq V_i \leq 21\text{V}, I_o = 5\text{mA} - 1\text{A}, P \leq 10\text{W}$ $0 - 125^\circ\text{C}$	5.7	6	6.3	V
Load Regulation	ΔV_o	$I_o = 5\text{mA} - 1.5\text{A}$ 25°C		14	120	mV
		$I_o = 250\text{mA} - 750\text{mA}$ 25°C		4	60	mV
Line Regulation	ΔV_o	$8\text{V} \leq V_i \leq 25\text{V}$ 25°C		5	120	mV
		$9\text{V} \leq V_i \leq 13\text{V}$ 25°C		1.5	60	mV
Quiescent Current	I_q	25°C		4.3	8	mA
Quiescent Current Change	ΔI_q	$8\text{V} \leq V_i \leq 25\text{V}$ $0 - 125^\circ\text{C}$			1.3	mA
		$5\text{mA} \leq I_o \leq 1\text{A}$ $0 - 125^\circ\text{C}$			0.5	mA
Output voltage drift	$\Delta V_o / \Delta T$	$I_o = 5\text{mA}$ $0 - 125^\circ\text{C}$		-0.8		mV/ $^\circ\text{C}$
Output Noise Voltage	V_N	$10\text{Hz} \leq f \leq 100\text{KHz}$ 25°C		45		μV
Ripple Rejection	RR	$9\text{V} \leq V_i \leq 19\text{V}, f = 120\text{Hz}$ $0 - 125^\circ\text{C}$	59	75		dB
Dropout Voltage	V_d	$I_o = 1\text{A}$ 25°C		2		V
Output resistance	R_o	$f = 1\text{KHz}$ 25°C		10		m Ω
Short Circuit Current	I_{sc}	25°C		550		mA
Peak Current	I_{pk}	25°C		2.2		A

TYPICAL APPLICATION

